



DOCUMENTATION AND PACKAGING REQUIREMENT

For supply to Newcrest Mining, Lihir, PNG (Lihir Gold Limited)

The following details the minimum requirements for the documentation and packing of goods and equipment (Packages) purchased by Lihir Gold Limited to be delivered to Lihir Island, PNG.

1. DELIVERY DOCKETS / PACKING LISTS

For orders from origins other than that of seller premises.

- Original Delivery Dockets, Packing / Invoice Lists to be placed inside the carton and where possible values to be written against each line item.
- A copy of the Delivery Dockets / Packing Lists to be placed inside a sealed waterproof document envelope and stapled / glued / nailed to the outside of the carton or crate. Where possible values to be written against each line item.
- A copy of the Shippers Letter of Instruction must be completed by the vendor and forwarded to the consolidator – **Agility Project Logistics**, by email prior to delivery pick up.

2. CARRIER'S CONSIGNMENT NOTES



Carrier's Consignment Notes must be correctly completed and show the following:

- The Receiver as Lihir Gold Limited (PNG) C/- Agility Project Logistics.
- Freight is payable by Lihir Gold ex works or supplier (FIS) from point of origin to consolidation point unless otherwise stated on the Lihir Gold Limited Purchase Order.
- Appropriate Purchase Order Number must be noted on all Packages and documents.
- Description, e.g. quantity pallets, carton, package etc. each to have individual weight and dimensions.
- Consolidator address: Agility Project Logistics 2-6 Bishop Drive Port of Brisbane QLD 4178, Phone +61 7 3291 8629 Switch Phone +61 7 3184 6822 Direct, Fax +61 7 3291 8630

IMPORTANT: Goods will be considered as not properly received unless an original invoice accompanies consignment. Liabilities remain with the seller until such time as an invoice is received.

3. MARKINGS

All Packages are to be addressed, marked and numbered to Lihir as follows:

LGL Supply Section
Main Warehouse
Lihir Island, New Ireland Province,
Papua New Guinea

P.O. Number: _____

Piece _____ of _____

Weight: _____ KGS

Dims _____ L _____ W _____ H (cms)

The Package Label Template can be found on the Newcrest website.

4. PACKAGING

It is important that the climatic conditions of Lihir Island be understood so as to ensure the Packages are suitably protected. Lihir Island has a tropical, hot and humid climate year round; the annual rainfall can be in excess of 3500mm. Lihir Island experiences high sulphuric levels (acid rain) and as such Packages must be able to withstand these conditions.

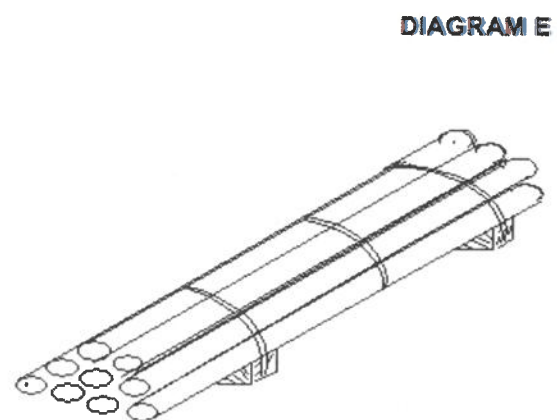
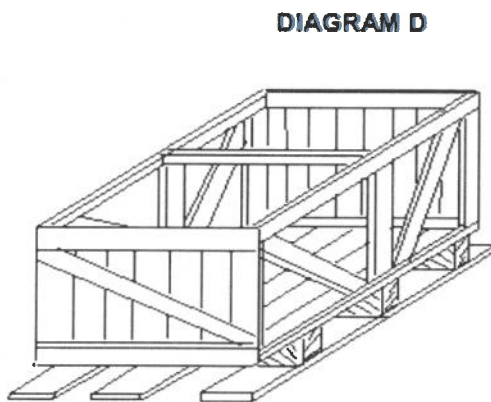
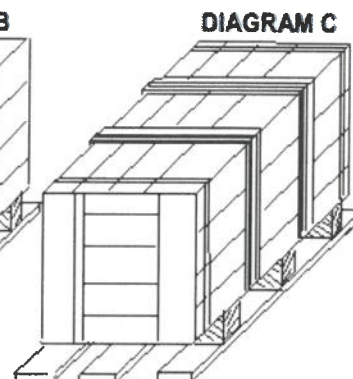
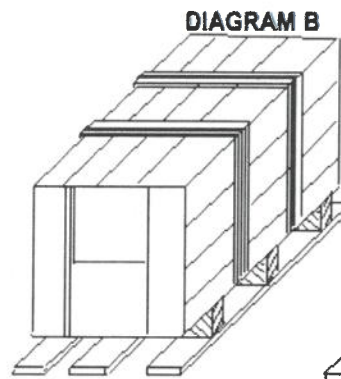
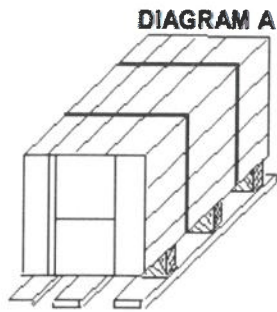
- **Cardboard Cartons** – are to be of good quality in order to withstand road transport with a net content to be of a suitable manageable weight. All cartons must be securely taped crossways, top and bottom. Items outside this realm must be packed in wooden crates.
- **Wooden Crates / Boxes Light Duty** – (Diagram A) to be of good quality pine timber with hardwood base with steel strengthening bands. Net content weight not to exceed 200kg.
- **Wooden Crates Heavy Duty** – (Diagram B) to be of good quality pine timber with hardwood base with steel strengthening bands. Net content weight not to exceed 400kg.

- **Wooden Open Crates Heavy Duty** – (Diagram C) to be of good quality pine timber with hardwood base with steel strengthening bands. Net content weight not to exceed 600kg.

Wooden Pallet Crates Extreme Duty – (Diagram D) to be of good quality pine timber with hardwood base with steel strengthening bands. The overall quality of this crate must be commensurate with the weight of the contents to ensure safe handling and protection of the Packages.

- **Steel Drums** – to be of export quality and non-returnable drums.
- **Bundling of Loose Items** – (Diagram E) for such items as steel pipe, steel shapes, timber etc. All items are to be segregated by length and size in packs not exceeding 2000kg. Each pack is to be a single Purchase Order Number and of one product type bundled with 25mm wide, heavy duty steel strapping spaced at a maximum of 1500mm intervals, have a minimum of two lengths of timber with a minimum dimension of 100mm x 50mm to form an integral base.
- **Packing** – all internal packing used for the supply of items to Lihir Island must be biodegradable i.e. No bubble wrap or polystyrene. Any non-biodegradable packing used may be returned to the seller with all associated freight costs payable by the seller.
- **Sample types of Boxes / Crates – General Specification**

Gross Weight Steel Strapping	Diagram	Timber Dimension / Nominal
		Space no greater than 700mm apart (minimum requirement)
To 200KG	A	25mm throughout, 2 straps 25mm
200 – 400KG	B	25mm throughout, 2 straps 25mm
Over 400KG	C	25mm throughout, 2 straps 25mm commensurate with weight corner straps and type of load 25mm 100 x 50mm framing

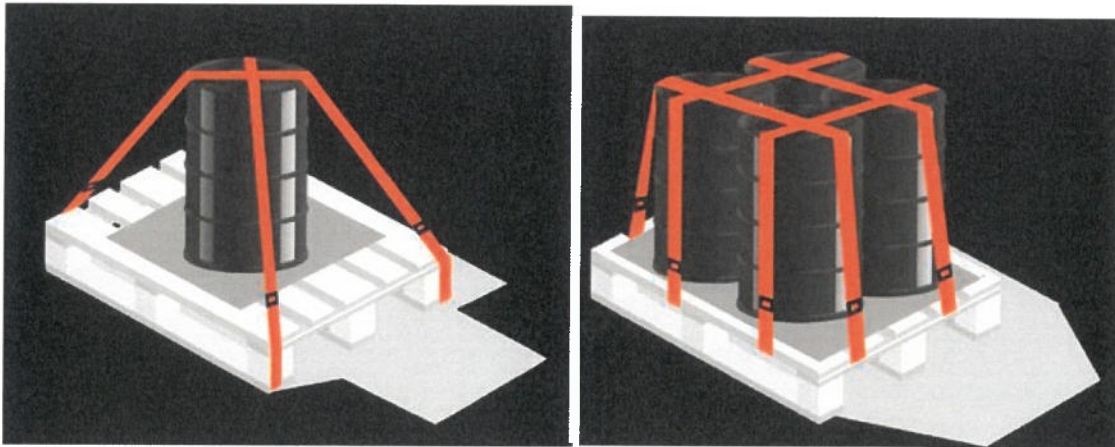


5. PALLETISING

- Pallets are to be non-returnable and of export quality. They are to be of suitable construction to withstand 2000kg horizontal breaking force. Pallets to be no greater than 1150mm x 1150mm in dimension.
- Cartons packed on pallets must be shrink wrapped and a 6mm piece of ply placed on top prior to shrink wrapping.
- Plastic pails and tins are to have a piece of 6mm ply placed in between each layer plus a 6mm top ply and then shrink wrapped. Packing of pallets containing pails or tins is to be as follows:
 - o 4 Litre tins no more than 5 layers
 - o 10 Litre tins no more than 3 layers
 - o 20 Litre tins no more than 2 layers
 - o Above 20 Litre single layer only



- Steel drums are to be strapped together with steel strapping.



6. SPECIAL ADDITIONAL INSTRUCTIONS FOR AIR FREIGHT ORDERS

- Individual Packages should be of a suitable manageable weight and must not exceed 30kg. The size of the carton where possible should not be larger than 300mm x 300mm x 300mm and ultimately not larger than 750mm x 750mm x 500mm. Note: if either the weight or size exceeds the above the seller is to contact Lihir Purchasing or Expediting for further instructions.

- In addition to all standard requested markings the words **AIRFREIGHT ORDER** must clearly be marked in bold print next to the Purchase Order Number.

Separate Delivery Dockets / Packing Lists are not acceptable. Two copies of the Original Invoice are required; one attached to the outside of the main Package in a sealed waterproof document envelope, the other copy of the Original Invoice is to be placed inside the same Package.

- It is the responsibility of the seller to duly complete a Hazardous Goods Declaration (DGs), should the seller not be licensed to do so, arrangements should be made through a licensed agent.
The seller has a duty of care to disclose all DGs at the time of dispatch. It is important that all DGs be consigned separately with all appropriate paperwork completed.

7. HAZARDOUS GOODS

- All markings on the outside of containers and packing shall be in accordance with the **Australian Dangerous Goods Code**. All packaging shall be in accordance with aforementioned code. Note: it is the responsibility of the seller to duly complete a Hazardous Goods declaration and supply a Material Safety Data Sheet (MSDS) and an Emergency Procedure Guide (EPG).
- All vessels / containers for the transport of dangerous goods are to be in satisfactory condition for transport via road, rail, sea or air.

8. FUMIGATION CERTIFICATES

Where required a certificate of fumigation is to be supplied to comply with Australian and Papua New Guinea Quarantine Inspection Services requirements relative to country of supply.

9. CONTACT DETAILS

Lihir Gold Limited
Lihir Island, Papua New Guinea

AGILITY PROJECT LOGISTICS
2-6 Bishop Drive
Port of Brisbane QLD 4178

Bratislav Varagic
Project Manager
Phone +61 7 3291 8629 Switch
Phone +61 7 3184 6822 Direct
Fax +61 7 3291 8630
Email bvaragic@agility.com

Bernie Roffmann
Lihir Expediting Officer
Phone +61 3 9522 5720 Direct
Email: bernie.roffmann@newcrest.com.au

www.newcrest.com.au